

Fresh Solutions for Retail

**METTLER TOLEDO Retail scales**

Model: **UC-GT / UC-GTU**

System scales for self-service,  
counter service and price marking



**The right choice for  
self-service of fresh goods**

**METTLER TOLEDO**

# Good reasons for putting the full weight on UC scales

- User- and customer-friendly, intuitive PC-based user guidance
- Variable and freely configurable keypad
- Full network capabilities, wireless option
- Easy integration into higher-level information systems



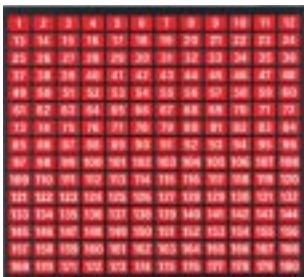
25 keys with pictograms



50 keys with pictograms



100 keys with pictograms



180 numeric keys



60/10 keypad with pictograms

Help yourself to UC-GT weighing technology for self-service, quick service and price marking. In other words, wherever there's a need for a clearly laid-out keypad with many keys. The UC-GTU, for example, has more than 180 direct keys for a large assortment of products.

The easy-to-use symbols and fast printing labels ensure customer satisfaction. Thanks to the large selection of keys the UC-GT adapts easily to your requirements and the variable keypad offers numerous options.

Weighing range	6kg	15kg	3kg/6kg	6kg/15kg	12kg	30kg
Division	2g	5g	1g/2g	2g/5g	2g	5g
Minimum weight *)	40g	100g	20g	40g	40g	100g

\*) EU: Pintout below the minimum weight is possible but not for price marking. Tare compensation over the entire weighing range. Automatic zeroing.

### Operating keypad

UC-GT: self-service keypad with 25, 50 or 100 keys

UC-GTU: self-service keypad with 180 keys

### Display

- Adjustable display
- Backlit LCD display, VGA resolution 320 x 240 pixels
- Weight display with 5 decimals
- Tare display with 5 decimals.

A second display on the back is optional.

### Reports

Comprehensive, configurable reporting with specific journal-entry memory for freely definable external analysis

### Data memory

You determine the size of your data- and program-memory between a 64Mb CompactFlash and a 10Gb hard disk

### Interfaces

- 1 serial interface (max. 3)
- 2 USB connections
- Optional modular wireless solution according to 802.11b
- Ethernet scale network interface (10BaseT), TCP/IP, DHCP, DNS, ftp and others

### Printer

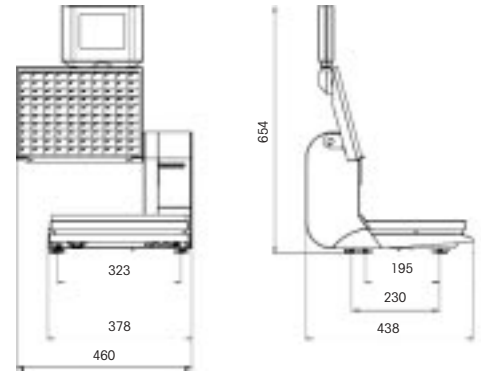
- Fast label printer with speed up to 125 mm/s
- Large label roll (max. 127 mm)
- Logo printed on label
- 99 freely definable labels in addition to predefined labels

For free definition of labels on the PC we offer our UC3Label program.

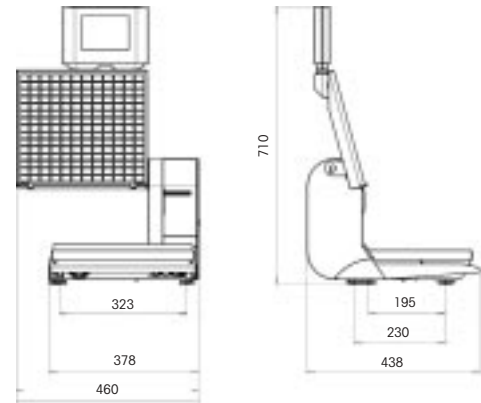
### Security

- Password protection for important functions
- Electronic journal
- Local master database

### Dimensions UC-GT (in mm)



### UC-GTU



### Your METTLER TOLEDO partner:

**UK Mettler-Toledo Ltd.,**  
UK-Leicester, LE4 1AW  
Tel. (0116) 235 7070  
Fax (0116) 236 5500  
enquire.mtuk@mt.com

**Mettler-Toledo GmbH**  
Sales International  
CH-8006 Greifensee  
Tel. +41 1 944 2211  
Fax +41 1 944 3170

Quality certificate  
ISO9001



Environmental  
certificate ISO14001



Worldwide service



[www.mt.com](http://www.mt.com)